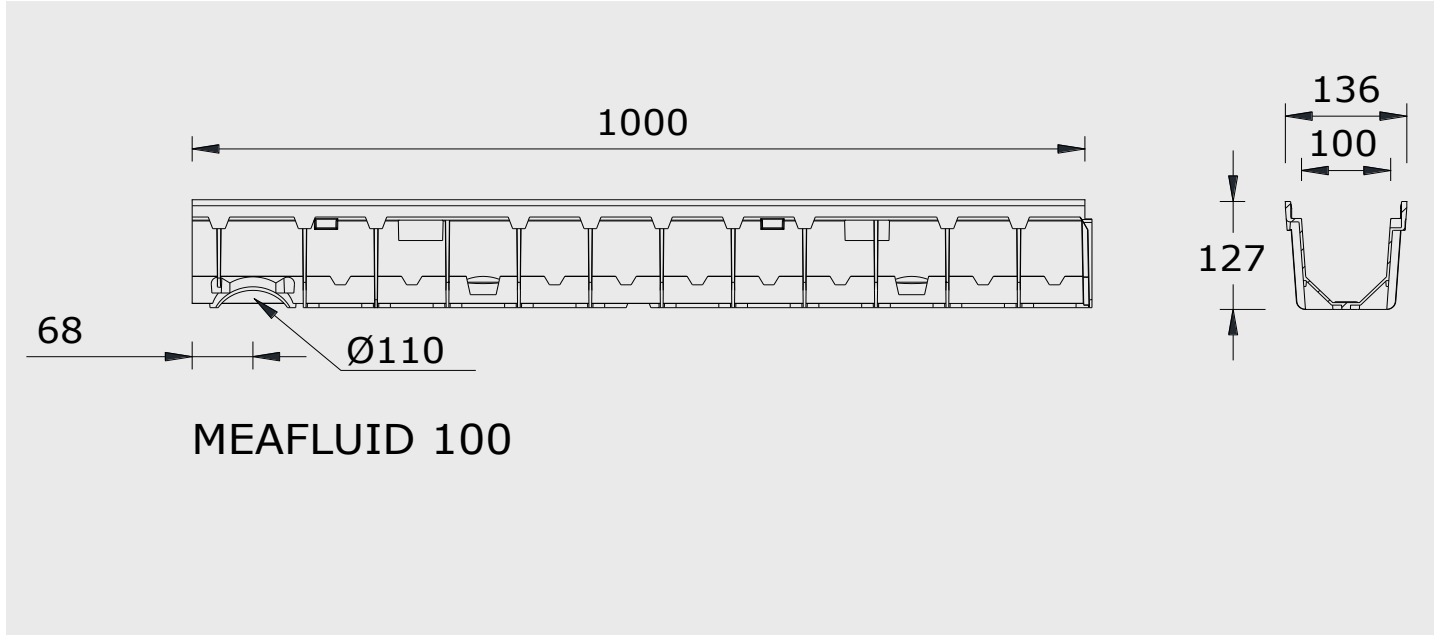


MEAFLUID 100 drainage channel with GRP edge

MEAFLUID 100



Material properties

Channel unit and construction unit

- o SMC (Sheet moulded compound): glassfibre reinforced polyester, with natural minerals
- o Tensile strength: 65 N/mm² (ISO527)
- o Flexural tensile strength: 120 N/mm² (ISO14125)
- o Modulus of elasticity: 10.000 N/mm² (ISO14125)
- o Linear expansion coefficient: 1,5 - 2,0 x 10⁻⁵1/K
- o Heat resistance: 100°C permanent exposure, short-term exposure to 200°C
- o Frost resistance: -35°C
- o Water absorption <0,1% (ISO R178)
- o Material structure: capillary free

Edge protection

- o glassfibre reinforced polyester

Channel covers

- o galvanised steel
- o ductile iron
- o plastic

MEAFLUID 100

MEAFLUID 100 drainage channel with GRP edge

Channel made of glasfibre reinforced polyester (GRP). Suitable for all channel covers **Top 1000 CLIPFIX**.

Clear width 100mm, total width 136mm. Channel unit without fall, loading class A15 - C250 to EN 1433.

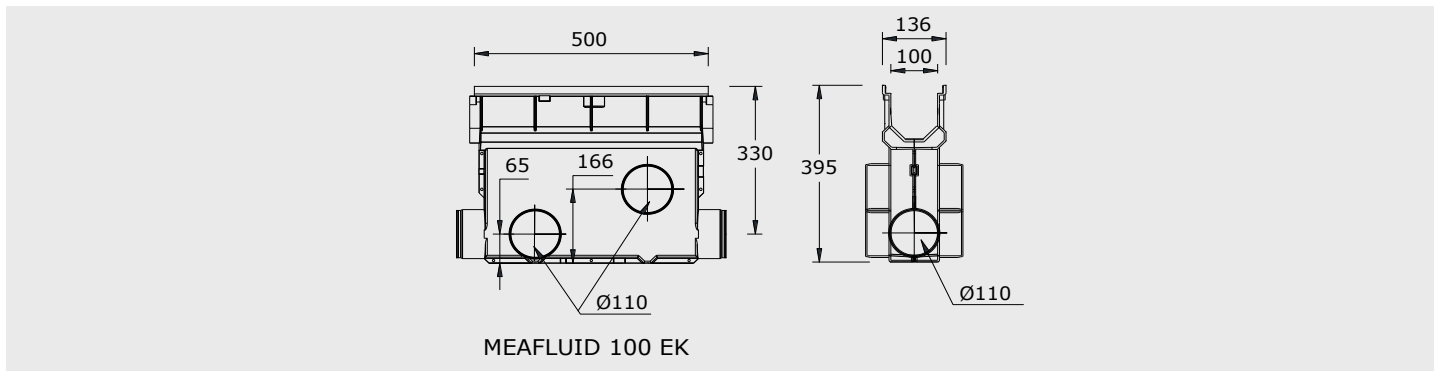
Loading classes as indicated when built-in according to MEA installation instructions.

Channel unit MEAFLUID 100, without fall, class C250

| material group | product description | length [mm] | total height [mm] | EDP-No. 010... | EAN-Code 4001990... | kg/unit | units/pallet |
|----------------|---------------------|-------------|-------------------|----------------|---------------------|---------|--------------|
| RI | MEAFLUID 100 | 1000 | 127 | 145100 | 875155 | 2,80 | 50 |

MEAFLUID 100 accessories

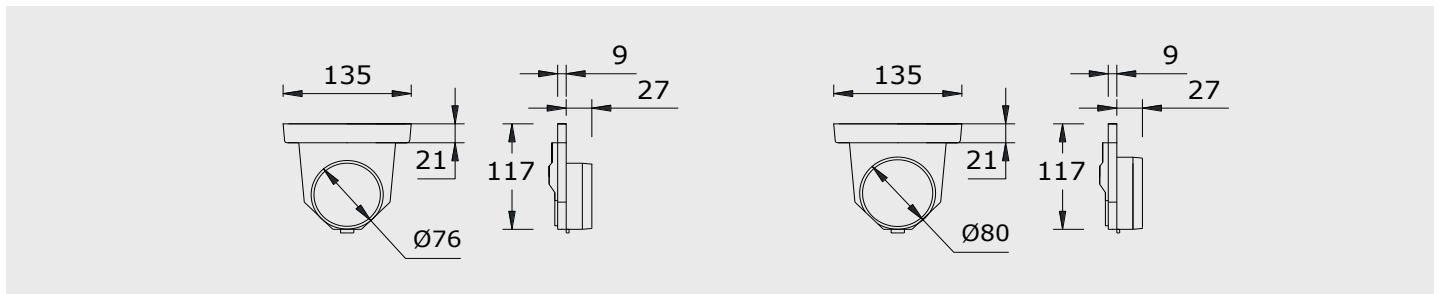
MEAFLUID 100 silt box



Silt box for MEAFLUID 100

| material group | product description | length [mm] | total height [mm] | EDP-No. 010... | EAN-Code 4001990... | kg/unit | units/pallet |
|----------------|-----------------------|-------------|-------------------|----------------|---------------------|---------|--------------|
| RI | MEAFLUID 100 silt box | 500 | 395 | 145108 | 875292 | 4,80 | 16 |

MEAFLUID 100 end caps



End caps for MEAFLUID 100

| material group | product description | material | EDP-No. 010... | EAN-Code 4001990... | kg/unit | units/pallet |
|----------------|--|----------|----------------|---------------------|---------|--------------|
| RI | MEAFLUID 100 end cap with connection facility Ø 75mm | PP | 141350 | 020258 | 0,06 | 1 |
| RI | MEAFLUID 100 end cap with connection facility Ø 80mm | PP | 141352 | 021361 | 0,06 | 1 |

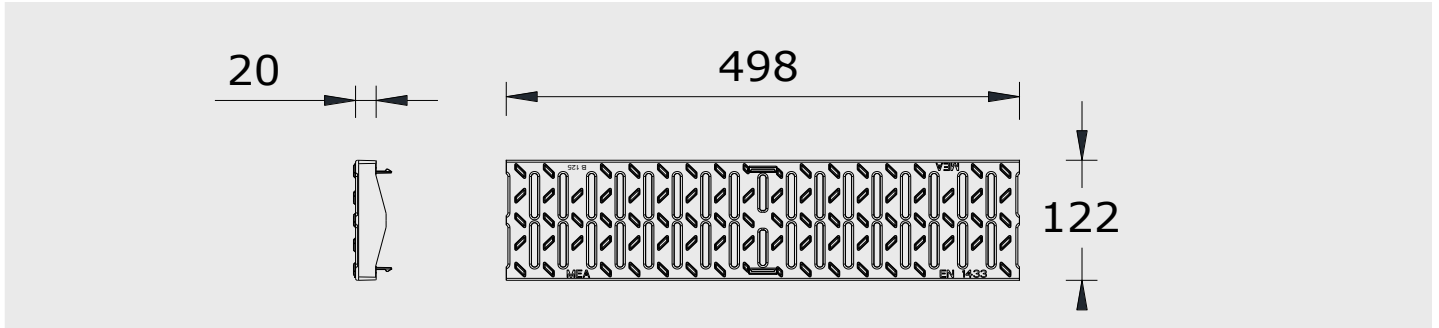
Top 1000 CLIPFIX channel covers

With non-bolted CLIPFIX channel cover fixing mechanism. Suitable for channel system **MEAFLUID 100**.

For channel units and silt boxes. Total width of gratings 122mm.



Plastic slotted heelguard grating 6/43, class C150 with CLIPFIX

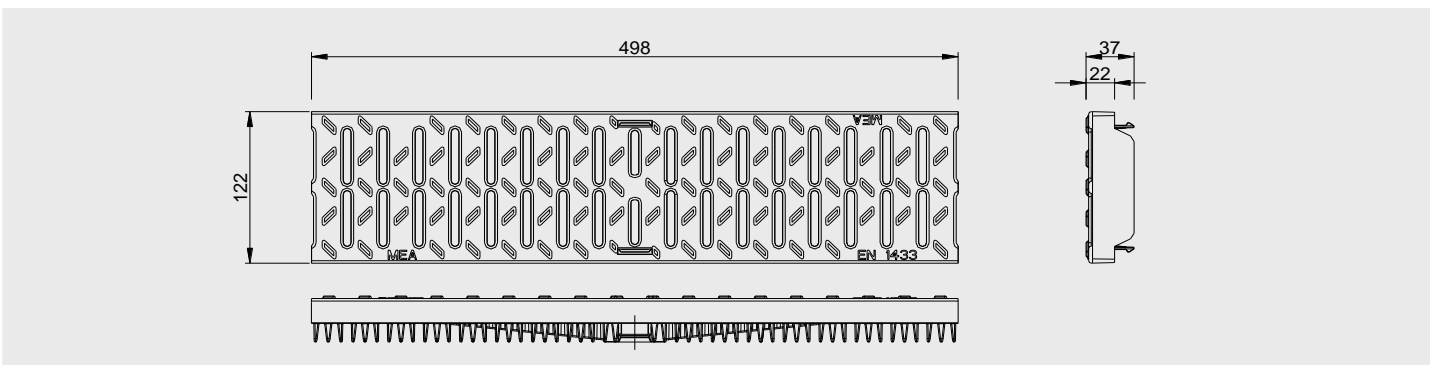


Class B150 to AS 3996, composite with non-bolted CLIPFIX cover fixing mechanism

| material group | product description | material | length [mm] | EDP-No. 010... | EAN-Code 4001990... | Inlet sect. area \varnothing cm ² /m | kg/unit | units/pallet |
|----------------|--|----------|-------------|----------------|---------------------|---|---------|--------------|
| MD | Plastic slotted heelguard grating 6/43 | plastic | 500 | 152427 | 279151 | 207 | 0,84 | 1 |



Plastic slotted grating 6/43, class D210 with CLIPFIX



Class D210 to AS 3996, plastic with non-bolted CLIPFIX cover fixing mechanism

| material group | product description | material | length [mm] | EDP-No. 010... | EAN-Code 4001990... | Inlet sect. area \varnothing cm ² /m | kg/unit | units/pallet |
|----------------|--|----------|-------------|----------------|---------------------|---|---------|--------------|
| MD | Plastic slotted heelguard grating 6/43 | plastic | 500 | 152419 | 279069 | 207 | 0,99 | 1 |

