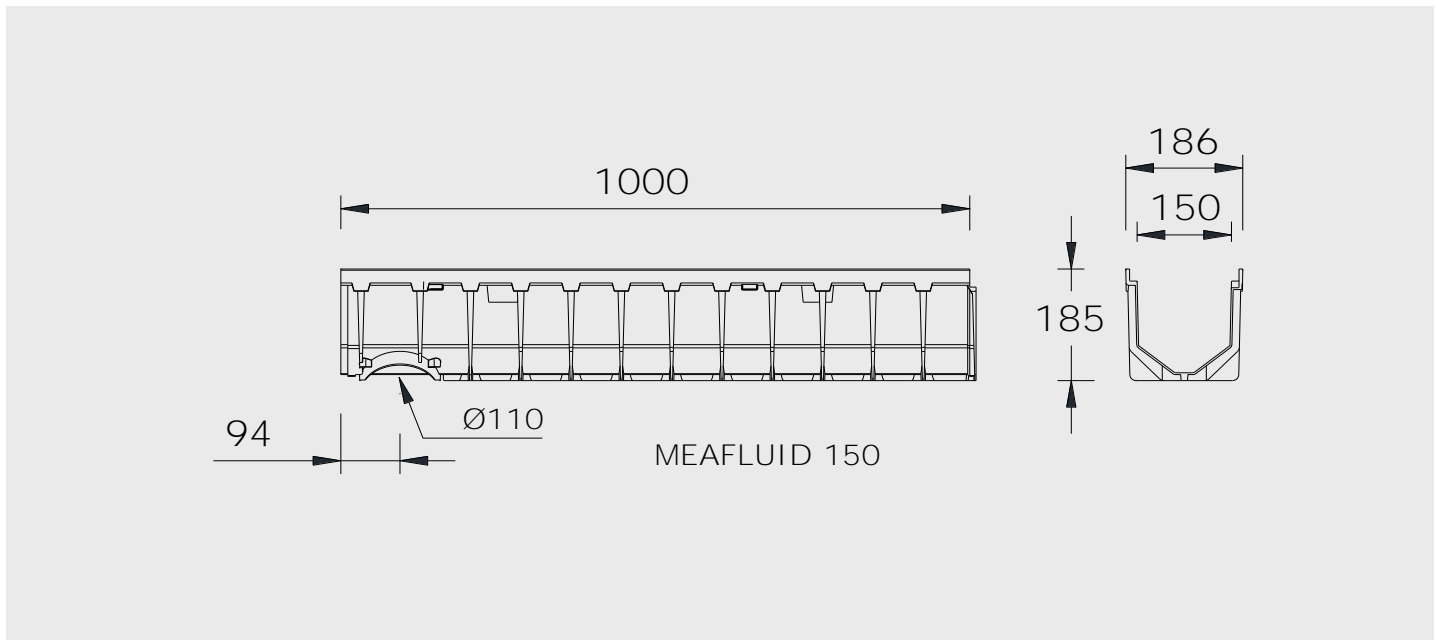


MEAFLUID 150 drainage channel with GRP edge

MEAFLUID 150



Material properties

Channel unit and construction unit

- o SMC (Sheet moulded compound): glassfibre reinforced polyester, with natural minerals
- o Tensile strength: 65 N/mm² (ISO527)
- o Flexural tensile strength: 120 N/mm² (ISO14125)
- o Modulus of elasticity: 10.000 N/mm² (ISO14125)
- o Linear expansion coefficient: 1,5 - 2,0 x 10⁻⁵1/K
- o Heat resistance: 100°C permanent exposure, short-term exposure to 200°C
- o Frost resistance: -35°C
- o Water absorption <0,1% (ISO R178)
- o Material structure: capillary free

Edge protection

- o glassfibre reinforced polyester

Channel covers

- o galvanised steel
- o ductile iron GGG

MEAFLUID 150 drainage channel with GRP edge

Channel made of glasfibre reinforced polyester (GRP). Suitable for all channel covers **Top 1500 CLIPFIX**.

Clear width 150mm, total width 186mm. Channel unit without fall, loading class A15 - C250 to EN 1433.

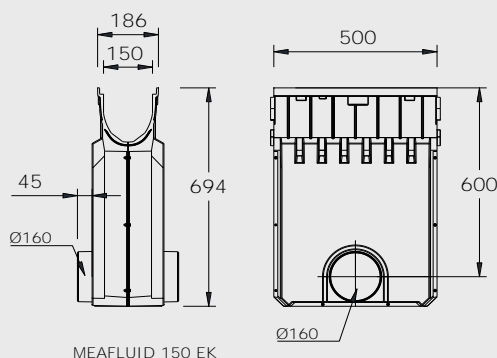
Loading classes as indicated when built-in according to MEA installation instructions.

Channel unit MEAFLUID 150, without fall, class C250

material group	product description	length [mm]	total height [mm]	EDP- No. 010...	EAN- Code 4001990...	kg/unit	units/pallet
RI	MEAFLUID 150	1000	185	145102	875261	4,70	40

MEAFLUID 150 accessories

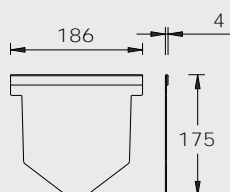
MEAFLUID 150 silt box



Silt box for MEAFLUID 150

material group	product description	length [mm]	total height [mm]	EDP- No. 010...	EAN- Code 4001990...	kg/unit	units/pallet
RI	MEAFLUID 150 silt box	500	694	145112	875186	11,40	16

MEAFLUID 150 end cap



MEAFLUID 150 SE

End cap for MEAFLUID 150

material group	product description	material	EDP- No. 010...	EAN- Code 4001990...	kg/unit	units/pallet
RI	MEAFLUID 150.SE end cap	galv. steel	145116	875285	0,60	1

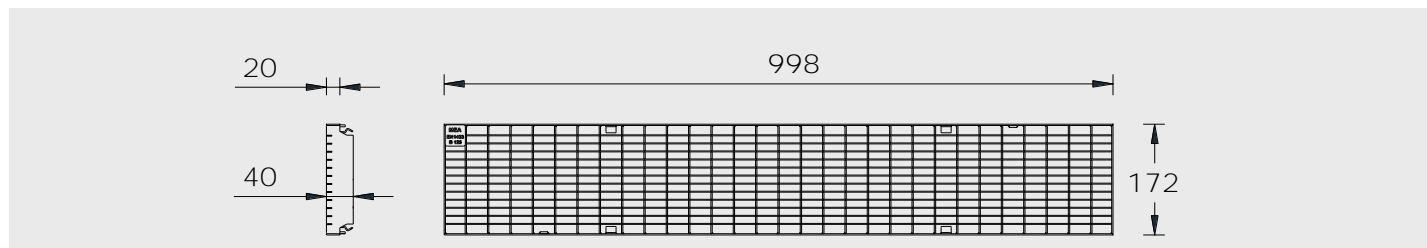
Top 1500 CLIPFIX channel covers

With non-bolted CLIPFIX channel cover fixing mechanism. Suitable for channel system **MEAFLUID 150**.

For channel units and silt boxes. Total width of gratings 172mm.



Mesh grating 33/12, class C150 with CLIPFIX with longitudinal fixation lugs

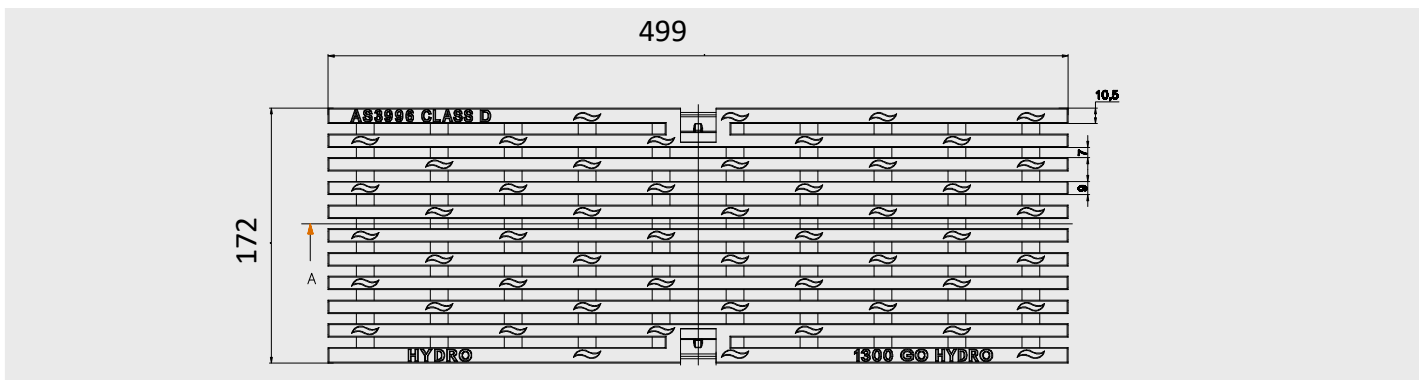


Class B125 to EN 1433, with non-bolted CLIPFIX cover fixing mechanism with fixation lugs

material group	product description	material	length [mm]	EDP- No. 010...	EAN- Code 4001990...	Inlet sect. area Ø cm ² /m	kg/unit	units/pallet
MD	Mesh grating 33/12 with longitudinal fixation lugs	galv. steel	1000	712834	275641	1338	5,00	1



Ductile iron grating longitudinal heelguard, class D210 with CLIPFIX



Class D210 to AS 3996, ductile iron with non-bolted CLIPFIX cover fixing mechanism

material group	product description	material	length [mm]	EDP- No. 010...	EAN- Code 4001990...	Inlet sect. area Ø cm ² /m	kg/unit	units/pallet
MD	Ductile Iron longitudinal heelguard	ductile	500	712586	279069	207	2	1