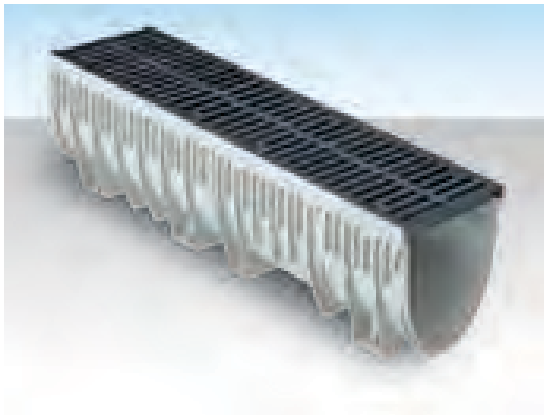


HYDRO TECHNICAL DATASHEET



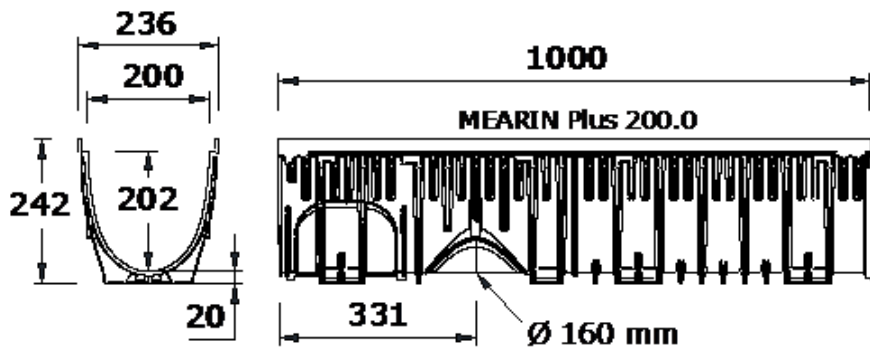
200MM CLEAR OPENING WIDTH GRP (GLASS REINFORCED POLYESTER) CHANNEL



PRODUCT FEATURES

- Complete drainage system made of glassfibre reinforced polyester (GRP), with channel grate including STARFIX channel grate securement. Grate shown in photo across is Ductile Iron slotted grate. See product list for further details.
- Clear width 200mm. Channel units without fall.
- Available in 1 metre lengths.
- Includes connecting facility for vertical discharge outlet connector to channel or inline sump.
- Grates available in slotted and wave patterns in Ductile Iron.
- Grates include the STARFIX locking system.
- Channel accessories available including Inline Sumps & baskets.
- Designed for heavy duty applications up to AS3996 Class Load E400 when installed according to the MEA installation instructions.

CHANNEL DETAIL



CHANNEL UNIT PROPERTIES

o SMC (Sheet moulded compound):	glassfibre reinforced polyester, with natural minerals
o Tensile strength:	65 N/mm ² (ISO527)
o Flexural tensile strength:	120 N/mm ² (ISO14125) 10.000
o Modulus of elasticity:	N/mm ² (ISO14125)
o Linear expansion coefficient:	1,5 - 2,0 x 10 ⁻⁵ /K
o Heat resistance:	100°C permanent exposure, short-term exposure to 200°C
o Frost resistance:	-35°C
o Water absorption	<0,1% (ISO R178)
o Material structure	capillary free

Edge protection

Glassfibre reinforced polyester

HYDRO TECHNICAL DATASHEET

PRODUCT LIST

	Part No.	Depth Start	Depth End	kgs
Mearin Plus 200.0 GRP Channel	140034	242	242	6.7
GRATES				
222mm Mearin Starfix Ductile Iron slotted Grate (Class E) 0.5m	140178	NA	NA	8
222mm Mearin Starfix Ductile Iron WAVE Grate (Class F) 0.5m	140182	NA	NA	10
222mm Mesh Grating (Class D) 1m- NZ ONLY	140174	NA	NA	
222mm Mesh Grating (Class D) 0.5m- NZ ONLY	140176	NA	NA	
ACCESSORIES				
Mearin Plus 200 GRP Inline Sump 0.5m	140040	630	630	4.5
Mearin Expert 200 GRP Inline Sump 0.5m- NZ ONLY	140080	NA	NA	
Mearin Plus/Expert 200 GRP End Cap	140108	NA	NA	0.2

Notes:

Mearin PLUS 200 CHANNELS- Clear opening 200mm, 236 total width, total height 242mm, total length 1000mm.

Connection facility for vertical outlet \varnothing 160mm.

Plug-in edge rails are available upon request. Contact Hydro for further details.

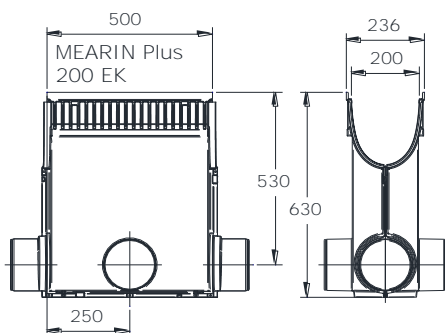
Important: All above grates include the starfix locking mechanism which is a easy to install, no bolts locking system.

Channel units constant depth only. 150mm Clear opening Channel options available on request. Grate Load Class see above.

Load class as indicated when installed in accordance to MEA installation instructions.

For further information on the above grates, see Hydro Grate Tech Data.

INLINE SUMP DETAIL



SUMP DETAIL

Hydro Part Number- 140040

Length 500mm Height 630mm Width- 236mm

Weight- 4.5Kg

Inline Sump basket included in the inline sump.