

Technical Datasheet Drainage Systems

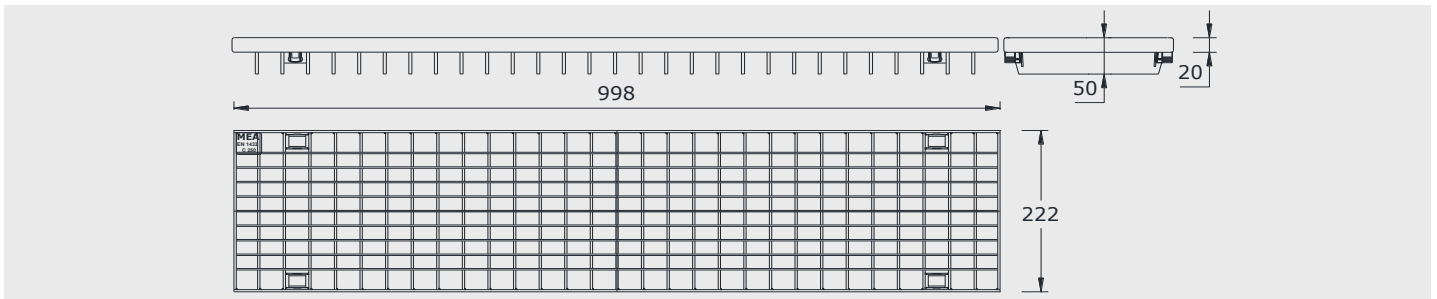
MEARIN Plus and Expert Drainage System

CW 200

MEARIN Plus 200 and MEARIN Expert 200 STARFIX Channel Covers

With non-bolted STARFIX channel cover securement. Suitable for channel systems MEARIN PLUS 200 and MEARIN EXPERT 200. For channel units and silt boxes. Total width of gratings 222mm.

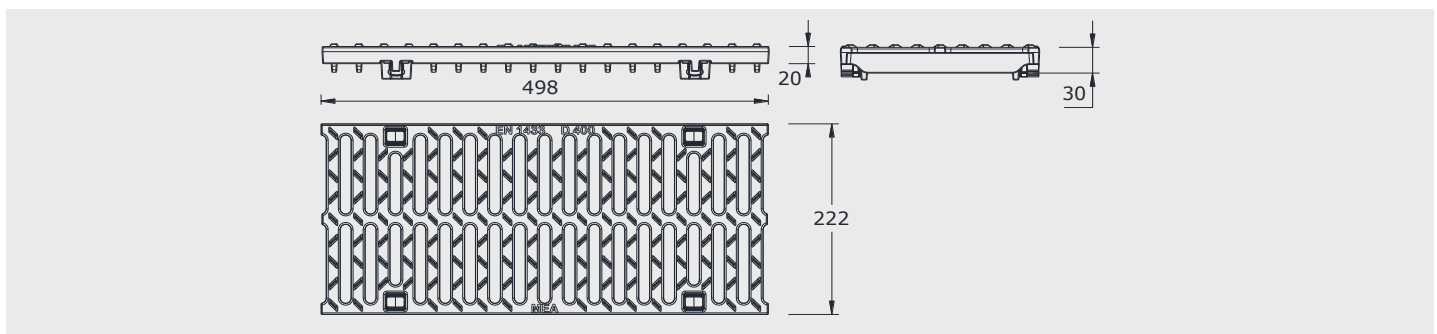
Mesh grating 30/12, class D210 with STARFIX



Class D210 to AS3996, galvanized steel with STARFIX channel cover securement

| material group | product description | material | length [mm] | EDP- No. 010... | EAN- Code 4001990... | Inlet sect. area Ø cm ² /m | kg/unit | units/pallet |
|----------------|---|-------------|-------------|-----------------|----------------------|---------------------------------------|---------|--------------|
| MP | MEARIN Plus/Expert 200 mesh grating 30/12 | galv. steel | 1000 | 170020 | 203811 | 1661 | 9,70 | 70 |

Slotted grating 12/92, class E400 with STARFIX



Class E400 to AS3996, ductile iron with STARFIX channel cover securement

| material group | product description | material | length [mm] | EDP- No. 010... | EAN- Code 4001990... | Inlet sect. area Ø cm ² /m | kg/unit | units/pallet |
|----------------|---|--------------|-------------|-----------------|----------------------|---------------------------------------|---------|--------------|
| MP | MEARIN Plus/Expert 200 ductile iron slotted grating 12/92 | ductile iron | 500 | 140178 | 203880 | 752 | 8,45 | 54 |

Remark

The surface coating of ductile iron parts only has a cosmetic function. Because of surface oxidation, ductile iron is even irresistible against environment influences (e.g. salt solutions for de-icing). Therefore, surface oxidation of ductile iron parts is not admitted as a complaint by MEA. Of course, the resignation of surface coating is in accordance with all corresponding standards.

Technical Datasheet Drainage Systems

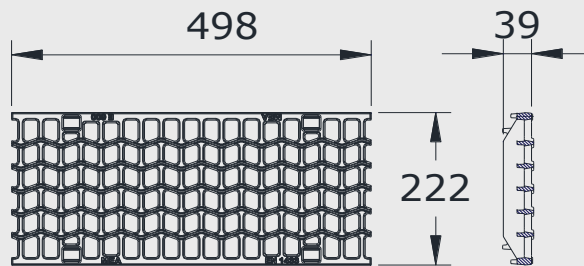
MEARIN Plus and Expert Drainage System

CW 200

MEARIN Plus 200 and MEARIN Expert 200 STARFIX Channel Covers

With non-bolted STARFIX channel cover securement. Suitable for channel systems **MEARIN PLUS 200** and **MEARIN EXPERT 200**.
For channel units and silt boxes. Total width of gratings 222mm.

Mesh grating WAVE, class F600 with STARFIX



Class F600 to AS3996, ductile iron with STARFIX channel cover securement

| material group | product description | material | length [mm] | EDP- No. 010... | EAN- Code 4001990... | Inlet sect. area Ø cm ² /m | kg/unit | units/pallet |
|----------------|---|--------------|-------------|-----------------|----------------------|---------------------------------------|---------|--------------|
| MP | MEARIN Plus/Expert 200 ductile iron mesh grating WAVE | ductile iron | 500 | 140182 | 203903 | 1190 | 10,08 | 54 |

AUSTRALIA-WIDE Phone ~1300 GO HYDRO
www.hydrocp.com.au

MELBOURNE
Phone ~1300 GO HYDRO
43 Agosta Drive
Laverton North VIC 3026

BRISBANE
Phone ~1300 GO HYDRO
Unit 3, 45 Canberra Street
Hemmant QLD 4174

NEW ZEALAND
Phone ~ 0800 493 766
Email ~ sales@hydrocp.com.au

Remark

The surface coating of ductile iron parts only has a cosmetic function. Because of surface oxidation, ductile iron is even irresistible against environment influences (e.g. salt solutions for de-icing). Therefore, surface oxidation of ductile iron parts is not admitted as a complaint by MEA. Of course, the resignation of surface coating is in accordance with all corresponding standards.