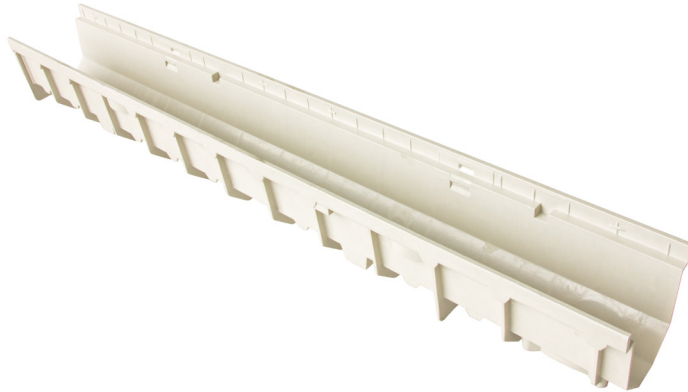


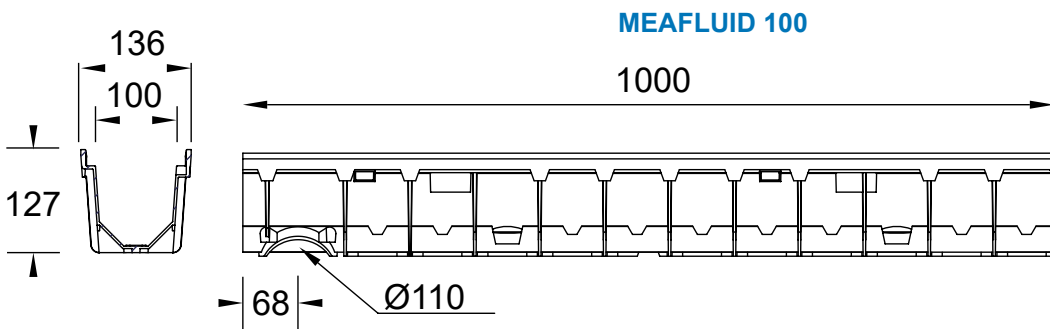
TECHNICAL DATA SHEET - MEA Fluid 100 GRP Drainage Channel



PRODUCT DETAILS

- Drainage channel made of GRP (Glassfibre Reinforced Polyester) with sealable channel groove.
- 100mm clear opening width.
- Available in 1 metre lengths.
- Includes connecting facility for vertical discharge outlet connector to channel or inline sump.
- Stainless Steel, ductile iron & galvanised grates available in slotted or heelguard designs.
- Boltless Clipfix locking system on grates.
- Channel accessories available including Inline Sumps & end caps.
- Interlocking joint system for an exact fitting of the channels.
- Designed for heavy duty applications up to AS3996 Class Load D210 when installed according to the MEA installation instructions.

CHANNEL DETAIL



BOLTLESS CLIPFIX



CHANNEL UNIT PROPERTIES

SMC (Sheet Moulded Compound):	Glassfibre Reinforced Polyester, with natural minerals	Heat Resistance:	100°C permanent exposure, 200°C short-term exposure
Tensile Strength:	65 N/mm ² (ISO527)	Frost Resistance:	-35°C
Flexural Tensile Strength:	120 N/mm ² (ISO14125)	Water Absorption:	<0.1% (ISO178)
Modulus of Elasticity:	10.000 N/mm ² (ISO14125)	Material Structure:	Capillary Free
Linear Expansion Coefficient:	1.5-2.0 x 10 ⁻⁵ /K	Clear Opening:	100mm
Total Width:	136mm	Load Class:	A10-D210 (AS3996)

MEAFLUID 100 PRODUCT LIST

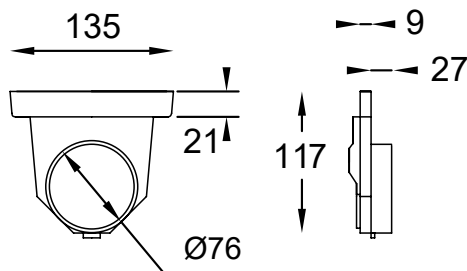
Product Name	Part No.	Depth	Weight (kgs.)
MEAFLUID 100 GRP Channel	145100	127mm	2.8
MEAFLUID 100 End Cap with Ø 75mm Connection	141350	N/A	0.06
MEAFLUID 100 GRP Inline Sump 0.5m	142000	395mm	4.8
All constant depth channels come with one 110mm outlet			

TOLL FREE: 1300 GO HYDRO | hydrocp.com.au

[DRAIN](#) • [STAINLESS](#) • [DIAMOND TOOLS](#) • [GRATES & FRAMES](#) • [CABLEPIT](#) • [COVERS](#)

TECHNICAL DATA SHEET - MEA Fluid 100 GRP Drainage Channel

MEAFLUID 100 END CAP



MEAFLUID 100 INLINE SUMP

