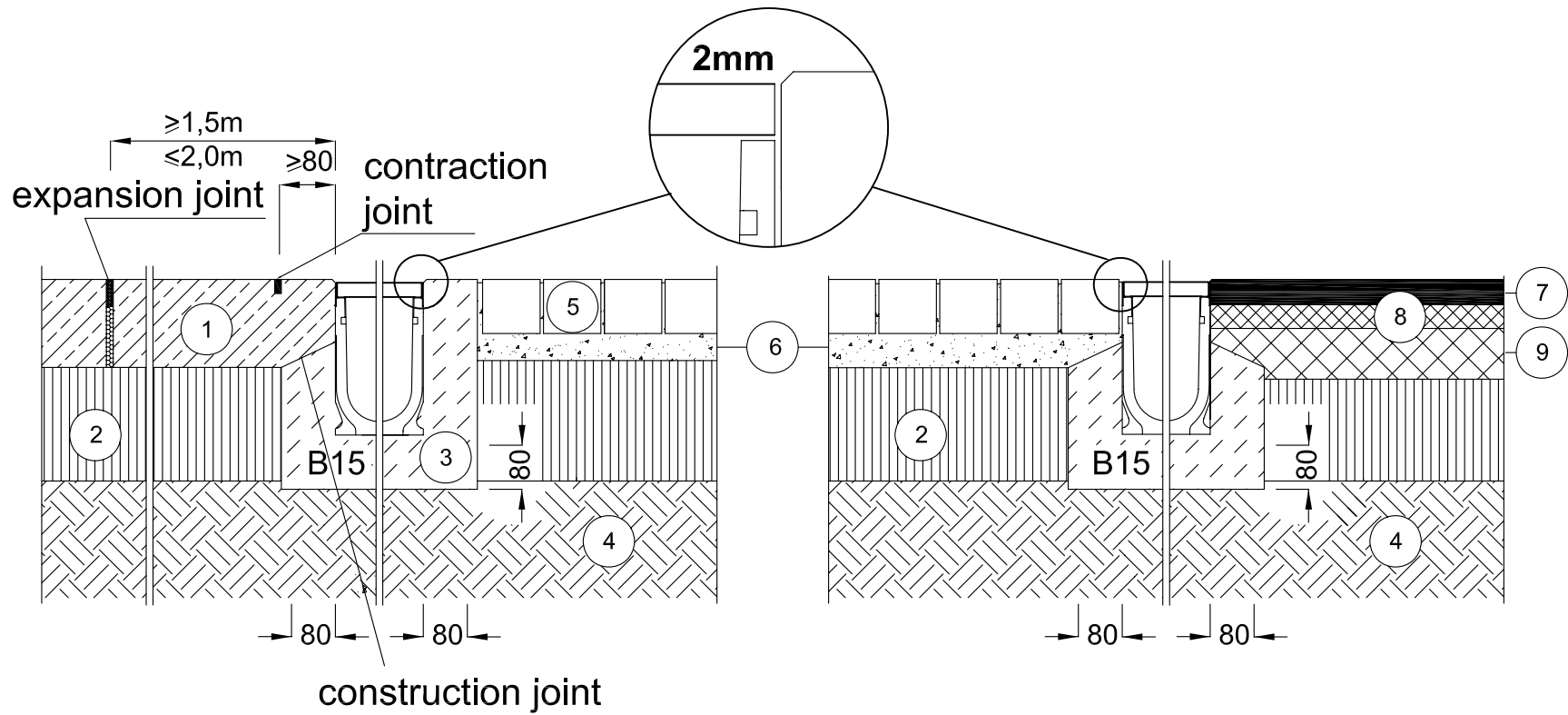


# A 10

- Pedestrians
- Cyclists



- |                   |                          |
|-------------------|--------------------------|
| ① Concrete        | ⑥ Sand layer             |
| ② Sub base        | ⑦ Asphalt                |
| ③ Concrete haunch | ⑧ Base course            |
| ④ Earth           | ⑨ Bituminous base course |
| ⑤ Block paviers   | ⑩ Mortar                 |



HYDRO CONSTRUCTION PRODUCTS  
 43 AGOSTA DRIVE  
 LAVERTON NORTH VIC 3026  
 PH- (03) 9368 6888  
 FAX- (03) 9368 6800  
 www.hydrocp.com.au

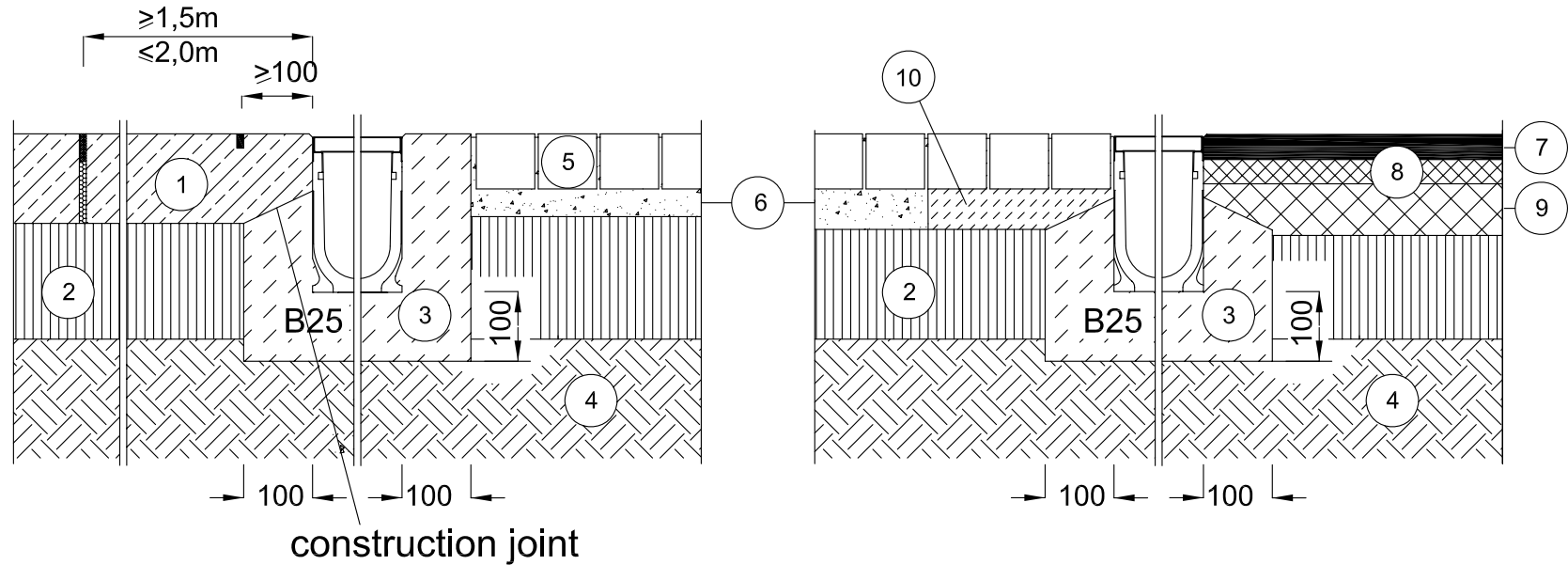
This document must not be copied without our written permission and the contents thereof must not be imported to a third party nor be used for any unauthorised purpose

HYDRO CONSTRUCTION PRODUCTS Copyright

PROJECT		MEADRAIN SITE INSTALLATION (CLASS A)		REV.
DRAWING No.		MEADRAIN SITE INSTALLATION (CLASS A)		THIRD ANGLE PROJECTION
DATE: 8/10/14	DRAWING CHECK:	DWG SIZE /SCALE A4	QUOTE No.	PAGE
DRAWN: BG	CLIENT APPROVED:	nts		1/1

# B 80

- Passenger Vehicles
- Light Vehicles



- |                   |                          |
|-------------------|--------------------------|
| ① Concrete        | ⑥ Sand layer             |
| ② Sub base        | ⑦ Asphalt                |
| ③ Concrete haunch | ⑧ Base course            |
| ④ Earth           | ⑨ Bituminous base course |
| ⑤ Block paviers   | ⑩ Mortar                 |



HYDRO CONSTRUCTION PRODUCTS  
 43 AGOSTA DRIVE  
 LAVERTON NORTH VIC 3026  
 PH- (03) 9368 6888  
 FAX- (03) 9368 6800  
 www.hydrocp.com.au

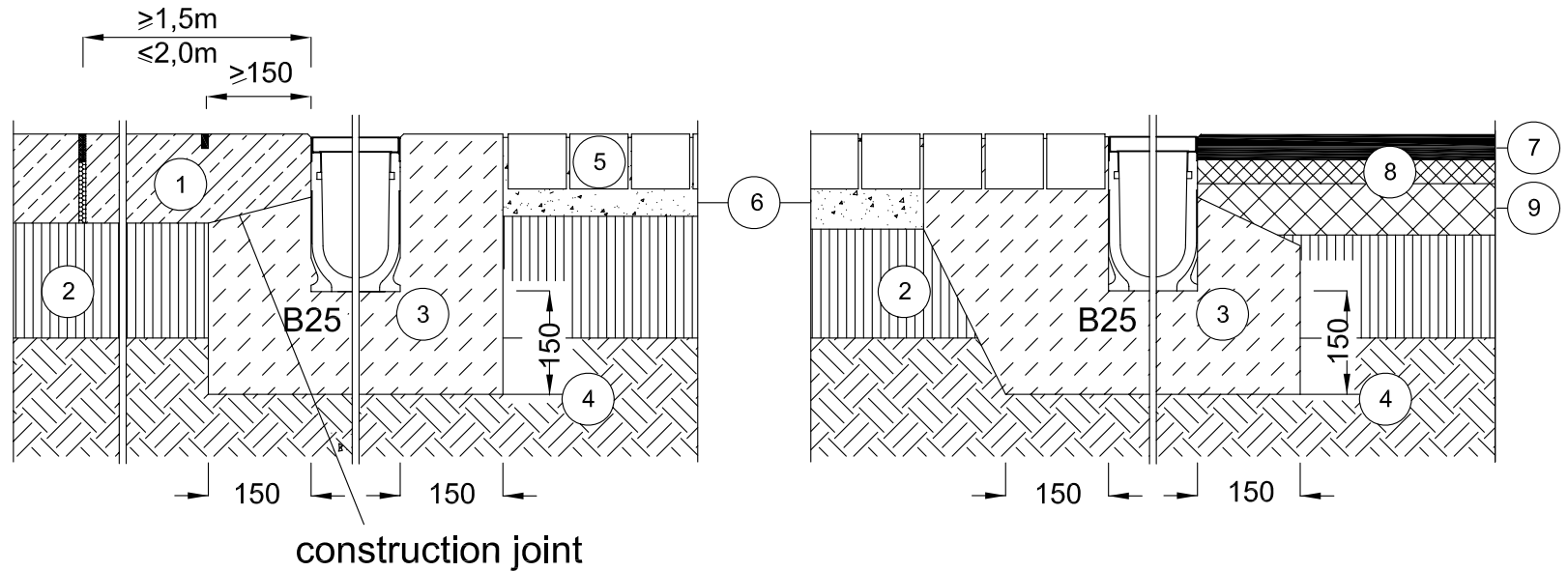
This document must not be copied without our written permission and the contents thereof must not be imported to a third party nor be used for any unauthorised purpose

HYDRO CONSTRUCTION PRODUCTS Copyright

PROJECT		MEADRIN SITE INSTALLATION (CLASS B)		REV.
DRAWING No.		MEADRIN SITE INSTALLATION (CLASS B)		THIRD ANGLE PROJECTION
DATE: 8/10/14	DRAWING CHECK:	DWG SIZE /SCALE A4	QUOTE No.	PAGE
DRAWN: BG	CLIENT APPROVED:	nts		1/1

# C 150

- Heavy Commercial Vehicles
- Slow Moving



- |                   |                          |
|-------------------|--------------------------|
| ① Concrete        | ⑥ Sand layer             |
| ② Sub base        | ⑦ Asphalt                |
| ③ Concrete haunch | ⑧ Base course            |
| ④ Earth           | ⑨ Bituminous base course |
| ⑤ Block paviours  | ⑩ Mortar                 |



HYDRO CONSTRUCTION PRODUCTS  
 43 AGOSTA DRIVE  
 LAVERTON NORTH VIC 3026  
 PH- (03) 9368 6888  
 FAX- (03) 9368 6800  
 www.hydrocp.com.au

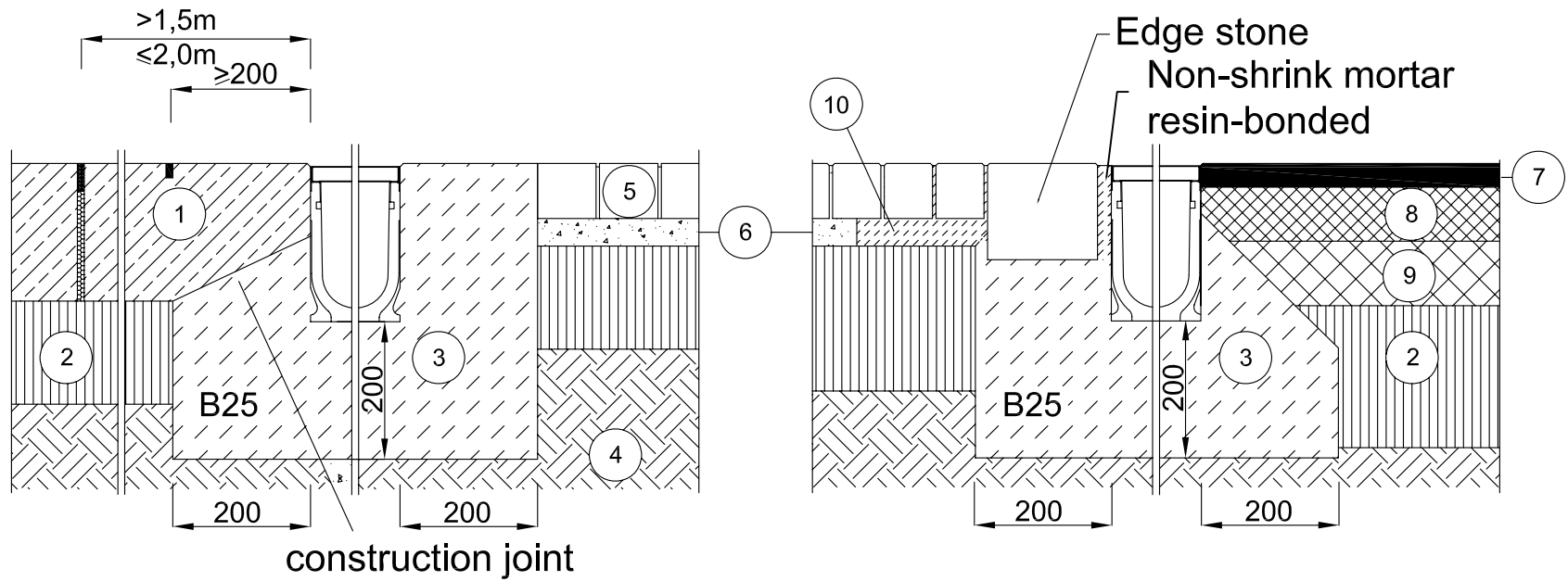
This document must not be copied without our written permission and the contents thereof must not be imported to a third party nor be used for any unauthorised purpose

HYDRO CONSTRUCTION PRODUCTS Copyright

PROJECT		MEADRIN SITE INSTALLATION (CLASS C)		REV.
DRAWING No.		MEADRIN SITE INSTALLATION (CLASS C)		THIRD ANGLE PROJECTION
DATE: 8/10/14	DRAWING CHECK:	DWG SIZE /SCALE A4	QUOTE No.	PAGE
DRAWN: BG	CLIENT APPROVED:	nts		1/1

# D 210

● Heavy Commercial Vehicles



- |                   |                          |
|-------------------|--------------------------|
| ① Concrete        | ⑥ Sand layer             |
| ② Sub base        | ⑦ Asphalt                |
| ③ Concrete haunch | ⑧ Base course            |
| ④ Earth           | ⑨ Bituminous base course |
| ⑤ Block pavioirs  | ⑩ Mortar                 |



HYDRO CONSTRUCTION PRODUCTS  
43 AGOSTA DRIVE  
LAVERTON NORTH VIC 3026  
PH- (03) 9368 6888  
FAX- (03) 9368 6800  
www.hydrocp.com.au

This document must not be copied without our written permission and the contents thereof must not be imported to a third party nor be used for any unauthorised purpose

HYDRO CONSTRUCTION PRODUCTS Copyright

PROJECT		MEADRIN SITE INSTALLATION (CLASS D)		REV.
DRAWING No.		MEADRIN SITE INSTALLATION (CLASS D)		THIRD ANGLE PROJECTION
DATE: 8/10/14	DRAWING CHECK:	DWG SIZE /SCALE A4 nts	QUOTE No.	PAGE 1/1
DRAWN: BG	CLIENT APPROVED:			