

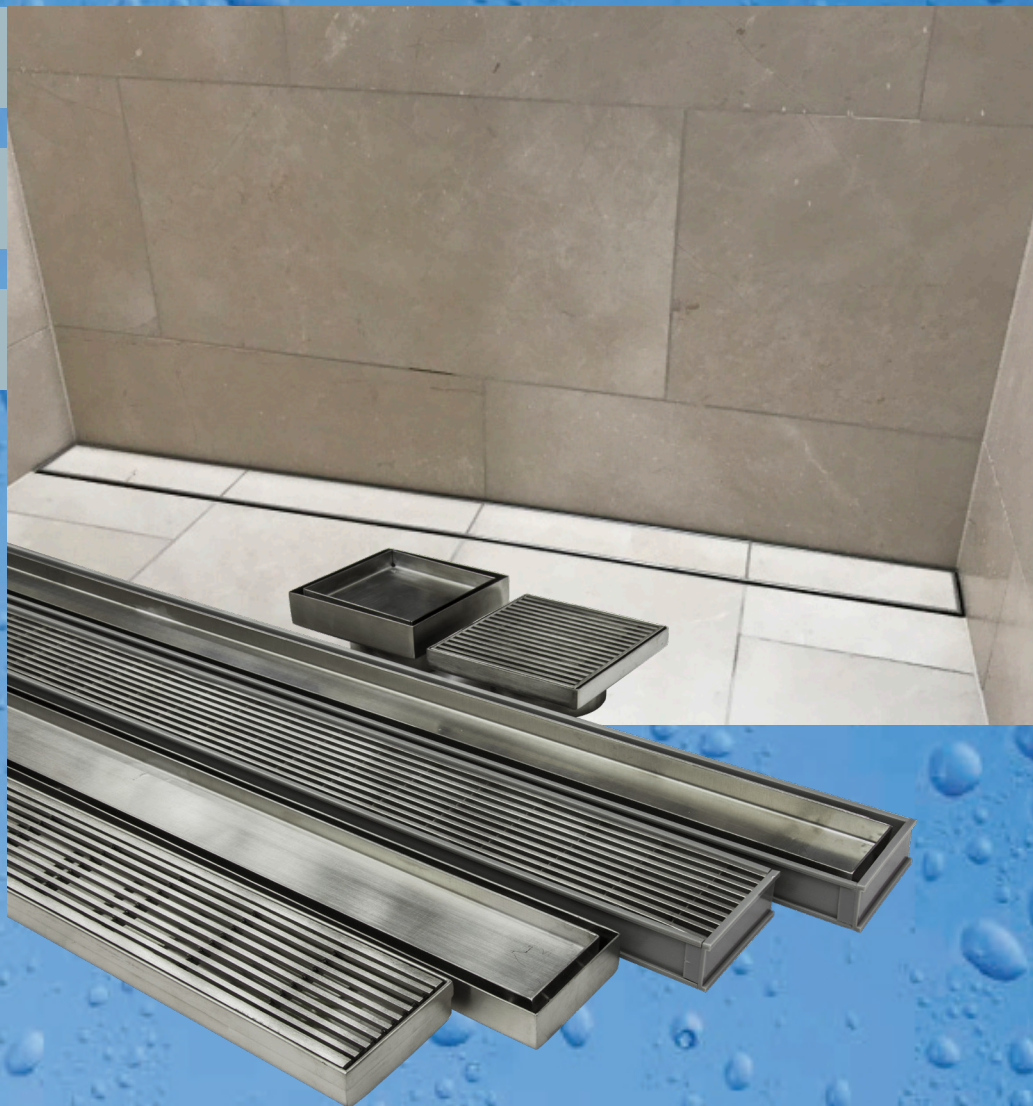


HYDRO PERFORMER SERIES

FLOOR WASTES STAINLESS

QUANTUM UPVC

ALLURE STAINLESS



HYDRO CONSTRUCTION PRODUCTS
SERVICING AUSTRALIA & NEW ZEALAND

www.hydrocp.com.au
www.hydrocp.co.nz



PERFORMER SERIES

WORLD CLASS PERFORMANCE AND DESIGN

Hydro Construction Products specializes in providing modern and effective drainage solutions. We provide unrivaled service, so you get the drainage solution you need.

We are proud to present our Hydro Performer Series of traditional square style floor wastes and linear drainage systems, available with stainless steel or uPVC channels and accessories.

FEATURES:

This high-performance, cost-effective range features architectural wedgewire grating and tile inserts which will blend seamlessly with your floor surface.

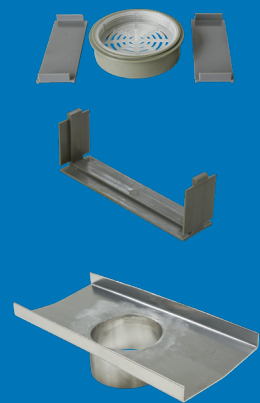
The Hydro Performer Series product range conforms with WaterMark Levels 1 & 2. Hydro Construction Products is a member of the Australian Stainless Steel Development Association (ASSDA) for true quality assurance.



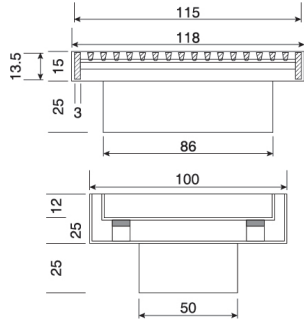
APPLICATIONS:

- Bathrooms & Showers
- Swimming Pools
- Courtyard & Patio
- Residential
- Sports & Leisure Facilities
- Wet Areas
- Hotels, Restaurants & Cafes
- Commercial Kitchens

ACCESSORIES



FLOOR WASTES



CODE

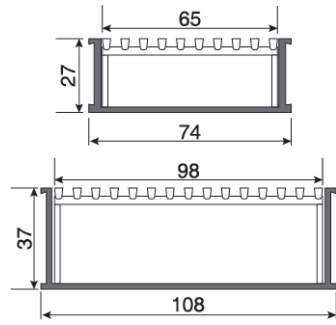
SIZE

OUTLET

HW-120/80 (HG)	120mm	86mm
ST-100/50 (TI)	100mm	50mm
ST-115/80 (TI)	115mm	80mm
ST-150/100 (TI)	150mm	100mm

• HG - Heelguard, TI - Tile Insert

QUANTUM HEELGUARD



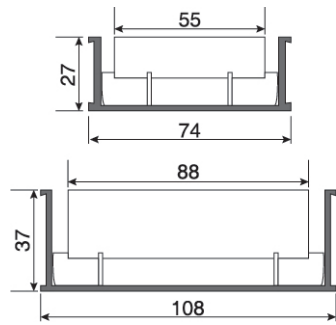
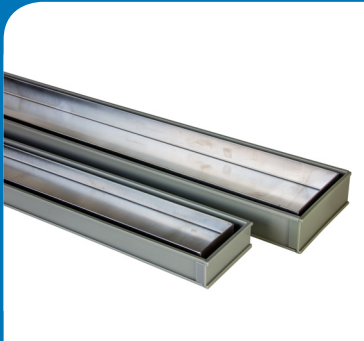
LENGTH

65mm

99mm

600mm	GW65PL-600	GW99PL-600
900mm	GW65PL-900	GW99PL-900
1000mm	GW65PL-1000	GW99PL-1000
1200mm	GW65PL-1200	GW99PL-1200
OUTLET	50mm	80mm

QUANTUM TILE INSERT



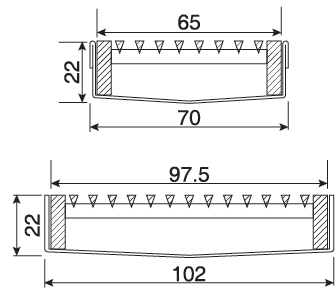
LENGTH

60mm

80mm

600mm	TL60PL-600	TL80PL-600
900mm	TL60PL-900	TL80PL-900
1000mm	TL60PL-1000	TL80PL-1000
1200mm	TL60PL-1200	TL80PL-1200
1500mm	TL60PL-1500	TL80PL-1500
OUTLET	50mm	80mm

ALLURE HEELGUARD



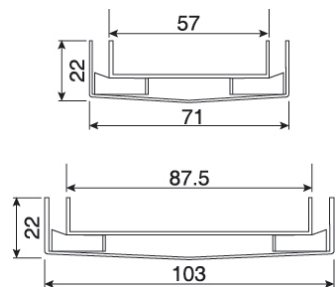
LENGTH

70mm

100mm

900mm	SHG-70/900	SHG-100/900
1000mm	SHG-70/1000	SHG-100/1000
1200mm	SHG-70/1200	SHG-100/1200
1500mm	SHG-70/1500	SHG-100/1500
OUTLET	50mm	74mm

ALLURE TILE INSERT



LENGTH

70mm

100mm

900mm	STI-70/900	STI-100/900
1000mm	STI-70/1000	STI-100/1000
1200mm	STI-70/1200	STI-100/1200
1500mm	STI-70/1500	STI-100/1500
OUTLET	50mm	74mm

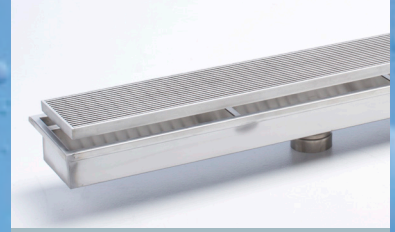
For information on our product ranges visit www.hydrocp.com.au



Polymer Drain



GRP Drain



Stainless



Grates & Frames



Covers



Diamond Tools



Stormwater Pits



Cablepit



HYDRO
CONSTRUCTION PRODUCTS
A PRODUCT FOR EVERY PROJECT

www.hydrocp.com.au www.hydrocp.co.nz

AUSTRALIA WIDE
1300 GO HYDRO sales@hydrocp.com.au

MELBOURNE
Ph: 03 9368 6888
43 Agosta Drive
Laverton North, VIC 3026

BRISBANE
Ph: 07 3393 9990
Unit 3/45 Canberra Street
Hemmant, QLD 4174

NEW ZEALAND
0800 493 766
87 Lady Ruby Drive
East Tamaki, Auckland 1246

DISCLAIMER: While every care has been taken to compile the information in this catalogue, Hydro International Pty Ltd accepts no responsibility for errors, omissions or losses arising from actions based on this information. Because the conditions of use are beyond the control of Hydro International Pty Ltd, all recommendations and suggestions on the use of Hydro International Pty Ltd products are made without guarantee. It is the customer's responsibility to ensure that each product is fit for its intended purpose, and that the actual conditions are suitable. Hydro International Pty Ltd is constantly updating and improving its product range, and reserves the right to amend specifications without notice.