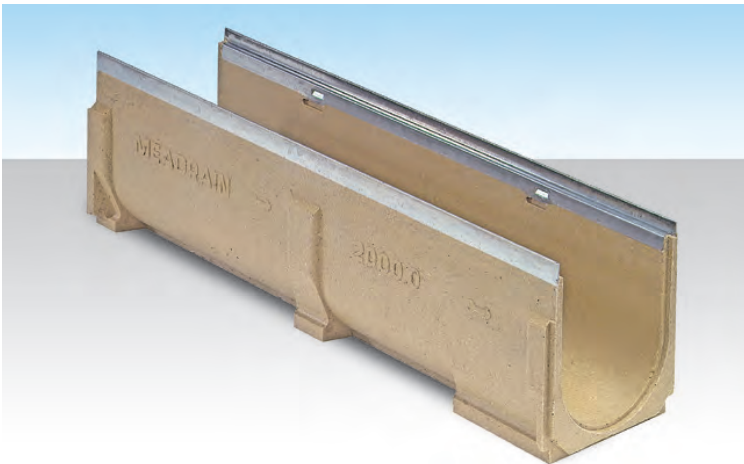


HYDRO TECHNICAL DATASHEET

200MM CLEAR OPENING WIDTH POLYMER CONCRETE CHANNEL WITH INTEGRATED STAINLESS STEEL EDGE RAIL



PRODUCT FEATURES

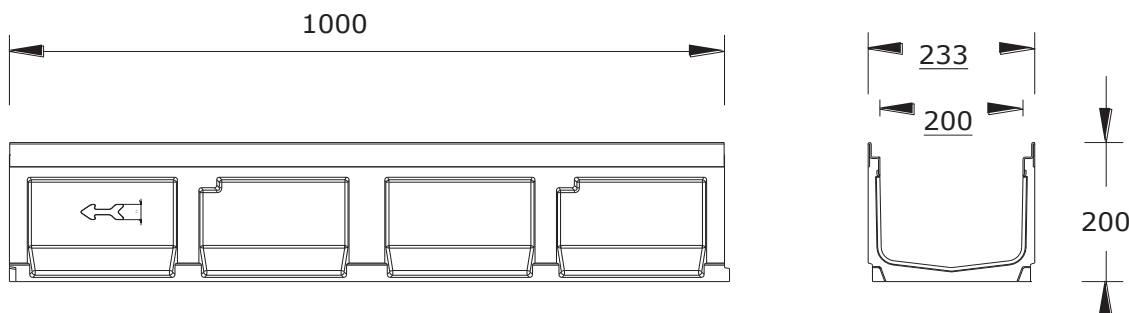
- Drainage channel made of polymer concrete with sealable channel groove. Includes integrated stainless steel edge protection.
- 200mm clear opening width.
- Available in 1 metre lengths
- Includes connecting facility for vertical discharge outlet connector to channel or inline sump.
- Available in 2 designs. Optional grate locking mechanisms available.
- Channel accessories available including Inline Sumps B baskets.
- Interlocking joint system for an exact fitting of the channels.
- Designed for heavy duty applications up to AS3996 Class Load ÖG€ when installed according to the MEA installation instructions.

CHANNEL DETAIL

LS2000.0/130 CHANNEL DETAIL

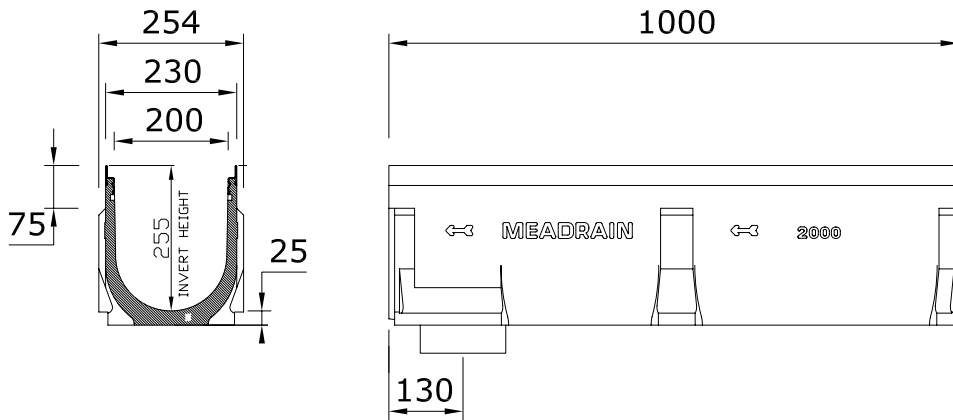


AS2000.0 CHANNEL DETAIL



HYDRO TECHNICAL DATASHEET

S2000.0 CHANNEL DETAIL



*See table for height options

CHANNEL UNIT PROPERTIES

Channel Body

Polymer Concrete: Based on polyester resin
 Compression resistance: >90N/mm²
 Flexural strength: >22N/mm²
 Water absorption: less than 0.05%

Density: 2.1-2.3kg/dm³
 Modulus of elasticity: 25-35kN/mm²
 Water penetration level: 0mm
 Material structure: capillary free

Fall type: Constant depth option only.
 Loading Classes: A10- D210 (AS3996)
 (D210 unsuitable for cross drainage of high speed roads & motorways).
 Total height: See table attached
 Total width: See above channel detail
 Length: 1000mm

Edge Protection
 Stainless Steel

HYDRO TECHNICAL DATASHEET

PRODUCT LIST

	Part No.	Depth Start	Depth End	Kgs
SOLUTION SHALLOW CHANNELS				
LS2000.0/130 Shallow Channel (1)	712838	130	130	23
ACCESS CHANNELS				
AS2000.0 Constant Depth Channel (1)	712840	200	200	23
SUPREME CHANNELS				
S2000.0 Constant Depth Channel (1)	154245	280	280	35.5
S2010.0 Constant Depth Channel (1)	154249	330	330	40.4
S2020.0 Constant Depth Channel (1)	154253	380	380	35.5
GRATES				
SS Grade #316 available on request- Contact Hydro for pricing/lead time				
LOAD CLASS A- AS3996- 10KN- POINT LOAD APPROX 330KG				
223mm Stainless Steel #304 heelguard grate- Class A 0.5m	160937HM	NA	NA	4.8
223mm Stainless Steel #304 heelguard grate- Class A	160937	NA	NA	8.4
223mm Stainless Steel #304 premium plus heelguard grate- Class A	161937	NA	NA	8.4
LOAD CLASS B- AS3996- 80KN- POINT LOAD APPROX				
223mm Stainless Steel #304 premium plus heelguard grate- Class B	161948	NA	NA	
223mm Stainless Steel #304 premium heelguard grate- Class B	161948/7	NA	NA	
LOAD CLASS C- AS3996- 150KN- POINT LOAD APPROX 5,000KG				
223mm Stainless Steel #304 heelguard grate- Class C	160947	NA	NA	8.4
223mm Stainless Steel #304 premium plus heelguard grate- Class C	161947	NA	NA	8.6
LOCKING MECHANISMS				
Standard Locking Mechanism for Heelguard Grates (200 size)	147130	NA	NA	0.1
END CAPS				
ASC/LSC 2000 End Cap (SS#304)	160100SS	NA	NA	0.4
SZ2000 End Cap (SS#3304)	160100	NA	NA	0.4
INLINE SUMPS				
S2000 Inline Sump (Requires one of the bottom sections). 0.5m	154240	430	430	25
Gully Bottom/Lower Short- (Requires a top section). 0.5m	154711	335	335	24
Gully Bottom/Lower Long- (Requires a top section). 0.5m	154719	485	485	33.6
Gully Middle Section- (Requires a top section from above). 0.5m	154709	375	375	22
Galvanised Steel Bucket for 200mm Inline sumps	154717	NA	NA	4.5

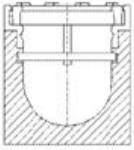
Notes:

(1)- Channel with connection facility for vertical discharge outlet connector diam 160mm or inline sump.
S/LS2000- 130mm from end of channel to centre of outlet. AS2000 150mm from end.

For more information regarding Hydro channel grates listed above please see the Hydro grate tech data.

HYDRO TECHNICAL DATASHEET

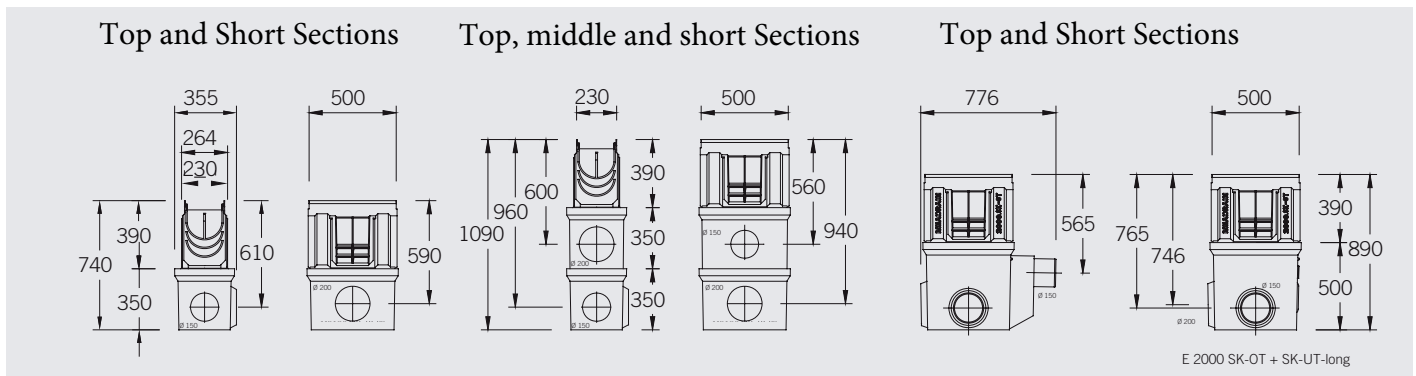
LOCKING MECHANISM DETAIL



HYDRO STANDARD LOCKING MECHANISMS

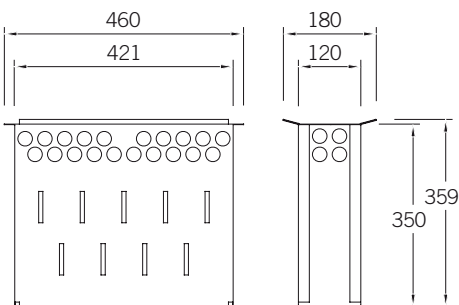
Prevent theft, rattling and safety concerns by utilising Hydro's standard locking mechanism system. Each set includes two bars and two screws and bolts and can be easily be installed to the channel and grate by hand. One set required per metre of channel.
Hydro Part number- 147130

INLINE SUMP DETAIL



Multipart construction with multiple combination possibilities of upper, middle and lower gully. Includes integrated stainless steel edge protection. Sediment buckets made from galvanised steel also available. Suitable with above stainless steel grates with standard locking mechanisms. Includes preformed outlet knockouts making the perfection connection for LS/Z2000.0, Z/S2000.0, Z/S2010.0 and Z/S2020.0 channels.

SILT BOX SEDIMENT BUCKET DETAIL



Hydro Part Code 154717

Length 460mm Height 359mm Width- 180mm

Optimised slot design for better discharge rates Material- Galvanised steel.

HYDRO TECHNICAL DATASHEET

SPECIFICATION INFO

GENERAL TEXT

The surface drainage system shall be Hydro Construction Products Drain Supreme polymer concrete channel system with integrated stainless steel edge rails as manufactured by MEA.

CHANNELS

LS2000/S2000/AS2000 channel (select channel) shall be 200mm clear opening (internal width) with an overall width of 233mm. Length 1,000mm and total height (insert here). All channels shall be interlocking with a male/female joint.

GRATES

Insert "Specification Info" from the relevant Grate Tech Data from Hydro Construction Products.

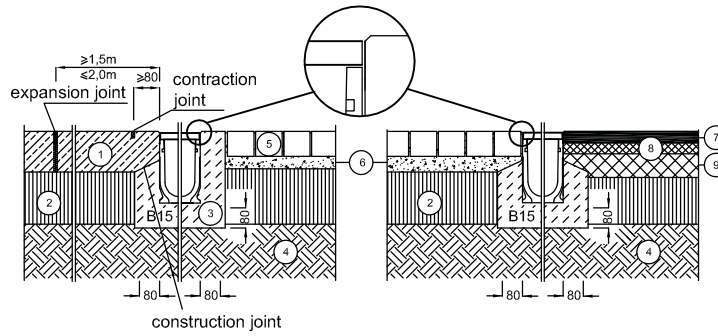
INSTALLATION

Designed for heavy duty applications up to AS3996 Class Load D210 when installed according to the MEA installation instructions.

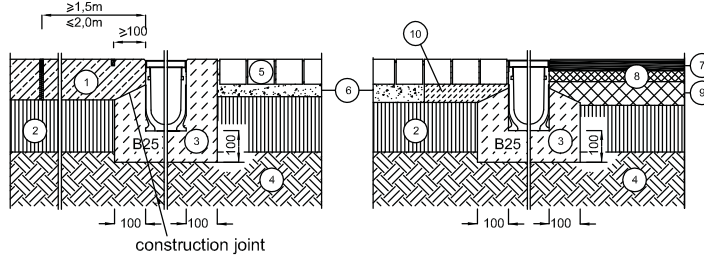
INSTALLATION EXAMPLES



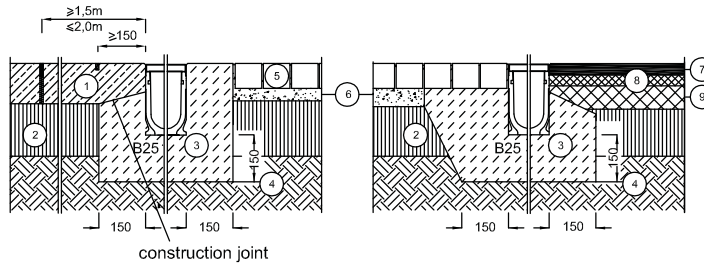
- Pedestrians
- Cyclists



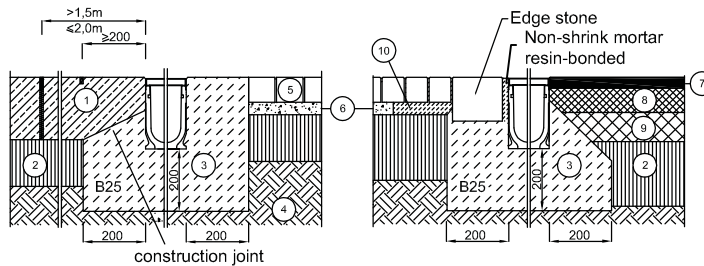
- Passenger vehicles
- Light vehicles



- Heavy commercial vehicles
- Slow moving



- Heavy commercial vehicles
- Roadways



- | | |
|-------------------|--------------------------|
| 1 Concrete | 6 Sand layer |
| 2 Sub base | 7 Asphalt |
| 3 Concrete haunch | 8 Base course |
| 4 Earth | 9 Bituminous base course |
| 5 Block paviours | 10 Mortar |