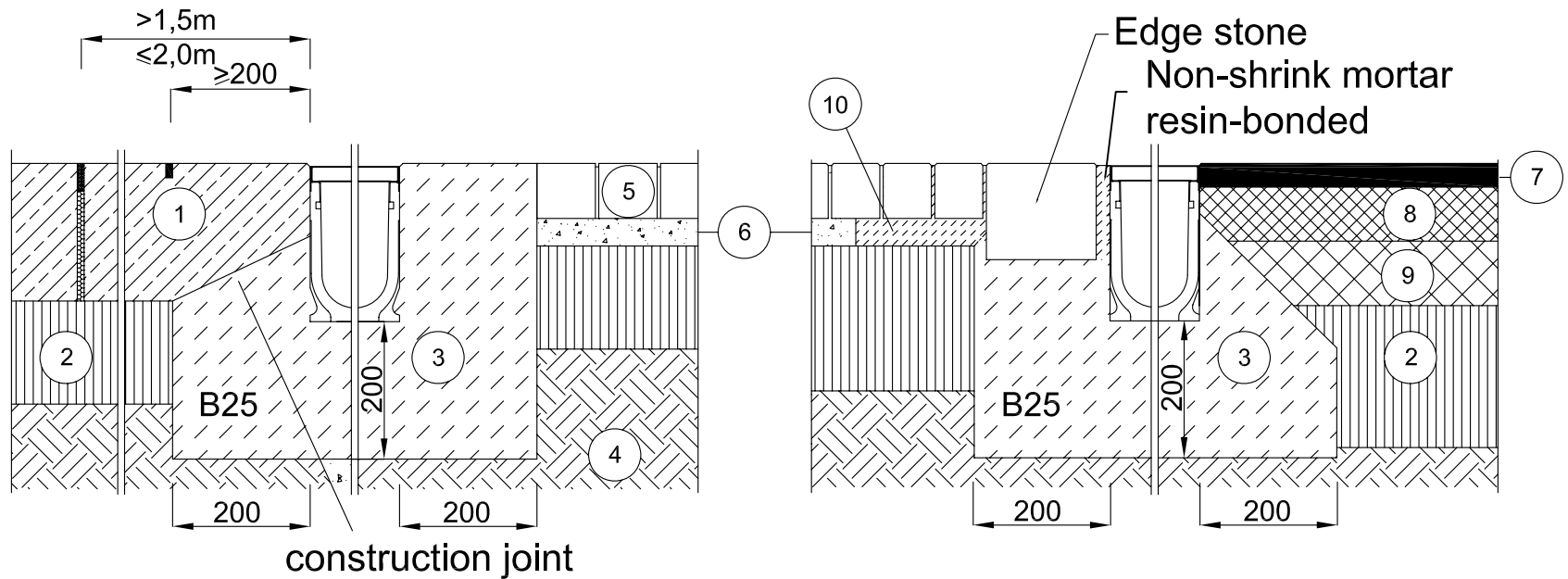


D 210

● Heavy Commercial Vehicles



- | | |
|-------------------|--------------------------|
| ① Concrete | ⑥ Sand layer |
| ② Sub base | ⑦ Asphalt |
| ③ Concrete haunch | ⑧ Base course |
| ④ Earth | ⑨ Bituminous base course |
| ⑤ Block paviours | ⑩ Mortar |



HYDRO CONSTRUCTION PRODUCTS
 43 AGOSTA DRIVE
 LAVERTON NORTH VIC 3026
 PH- (03) 9368 6888
 FAX- (03) 9368 6800
 www.hydrocp.com.au

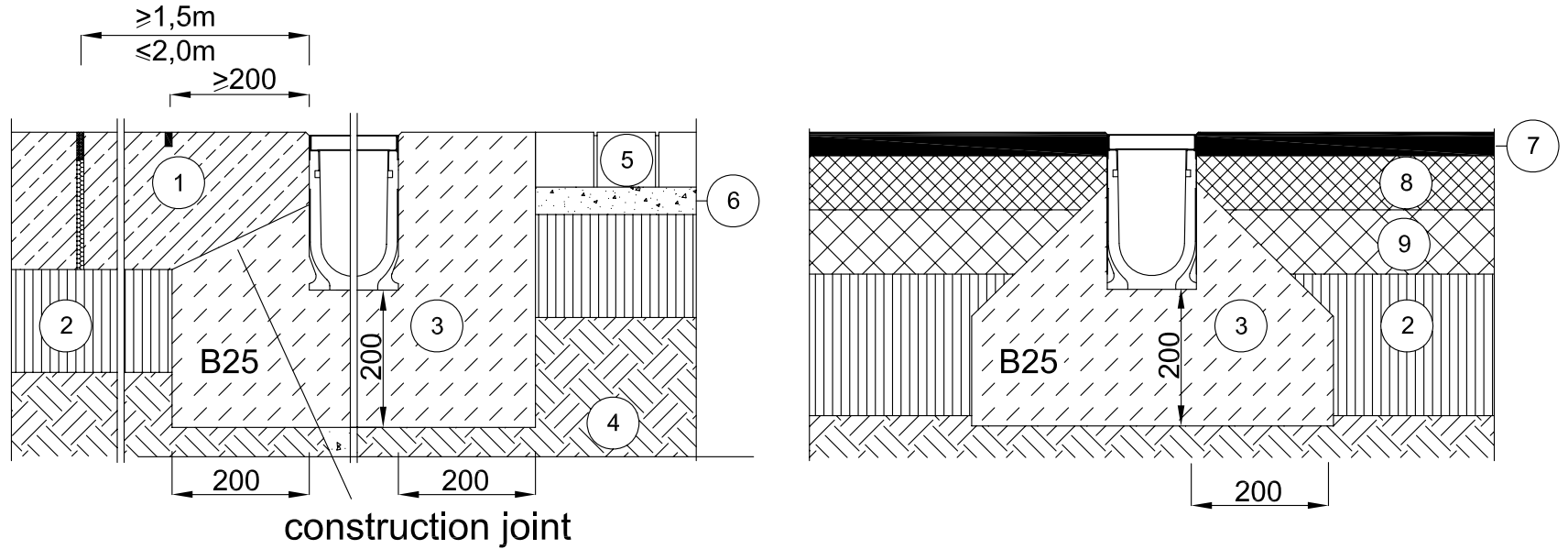
This document must not be copied without our written permission and the contents thereof must not be imported to a third party nor be used for any unauthorised purpose

HYDRO CONSTRUCTION PRODUCTS Copyright

PROJECT		MEADRIN SITE INSTALLATION (CLASS D)		REV.
DRAWING No.		MEADRIN SITE INSTALLATION (CLASS D)		THIRD ANGLE PROJECTION
DATE: 8/10/14	DRAWING CHECK:	DWG SIZE /SCALE A4	QUOTE No.	PAGE
DRAWN: BG	CLIENT APPROVED:	nts		1/1

E 400

- Industrial Zones



- | | |
|-------------------|--------------------------|
| ① Concrete | ⑥ Sand layer |
| ② Sub base | ⑦ Asphalt |
| ③ Concrete haunch | ⑧ Base course |
| ④ Earth | ⑨ Bituminous base course |
| ⑤ Block paviours | ⑩ Mortar |



HYDRO CONSTRUCTION PRODUCTS
 43 AGOSTA DRIVE
 LAVERTON NORTH VIC 3026
 PH- (03) 9368 6888
 FAX- (03) 9368 6800
 www.hydrocp.com.au

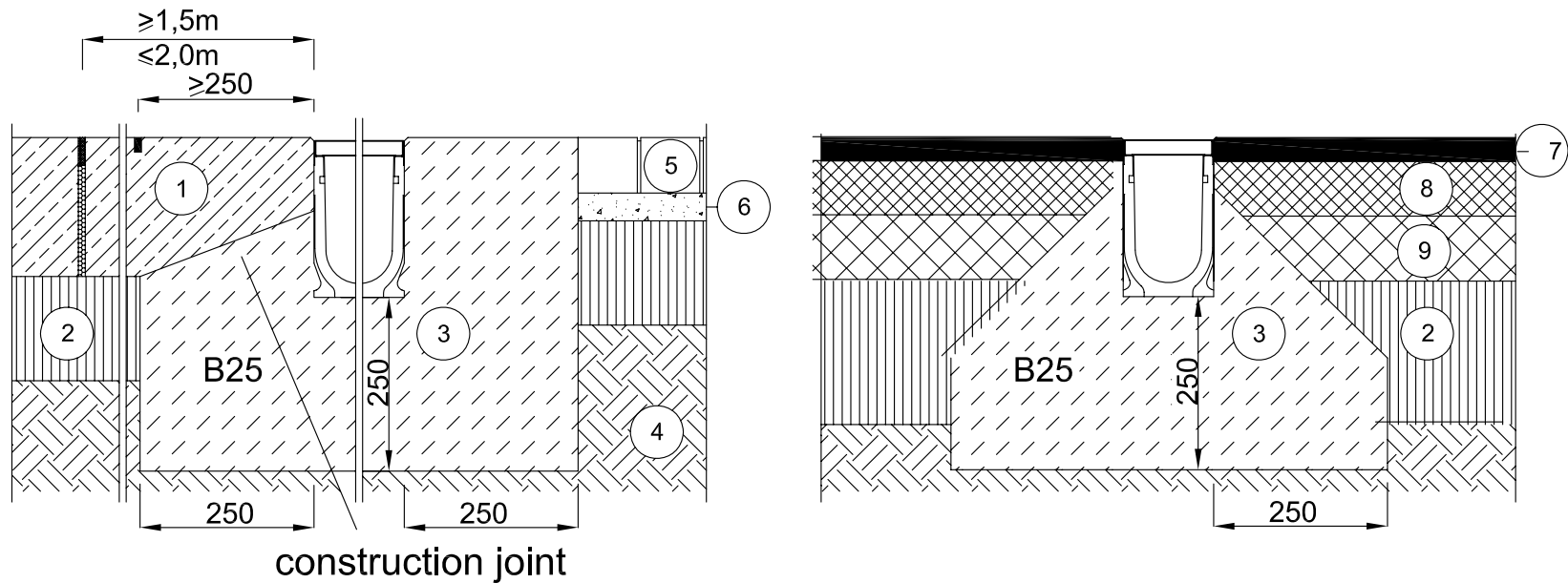
This document must not be copied without our written permission and the contents thereof must not be imported to a third party nor be used for any unauthorised purpose

HYDRO CONSTRUCTION PRODUCTS Copyright

PROJECT		MEADRIN SITE INSTALLATION (CLASS E)		REV.
DRAWING No.		MEADRIN SITE INSTALLATION (CLASS E)		THIRD ANGLE PROJECTION
DATE: 8/10/14	DRAWING CHECK:	DWG SIZE /SCALE A4	QUOTE No.	PAGE
DRAWN: BG	CLIENT APPROVED:	nts		1/1

G 900

- Special Surfaces like Airport Traffic Area



- | | |
|-------------------|--------------------------|
| ① Concrete | ⑥ Sand layer |
| ② Sub base | ⑦ Asphalt |
| ③ Concrete haunch | ⑧ Base course |
| ④ Earth | ⑨ Bituminous base course |
| ⑤ Block pavements | ⑩ Mortar |



HYDRO CONSTRUCTION PRODUCTS
 43 AGOSTA DRIVE
 LAVERTON NORTH VIC 3026
 PH- (03) 9368 6888
 FAX- (03) 9368 6800
 www.hydrocp.com.au

This document must not be copied without our written permission and the contents thereof must not be imported to a third party nor be used for any unauthorised purpose

HYDRO CONSTRUCTION PRODUCTS Copyright

PROJECT		MEADRIN SITE INSTALLATION (CLASS G)		REV.
DRAWING No.		MEADRIN SITE INSTALLATION (CLASS G)		THIRD ANGLE PROJECTION
DATE: 8/10/14	DRAWING CHECK:	DWG SIZE /SCALE A4 nts	QUOTE No.	PAGE 1/1
DRAWN: BG	CLIENT APPROVED:			