

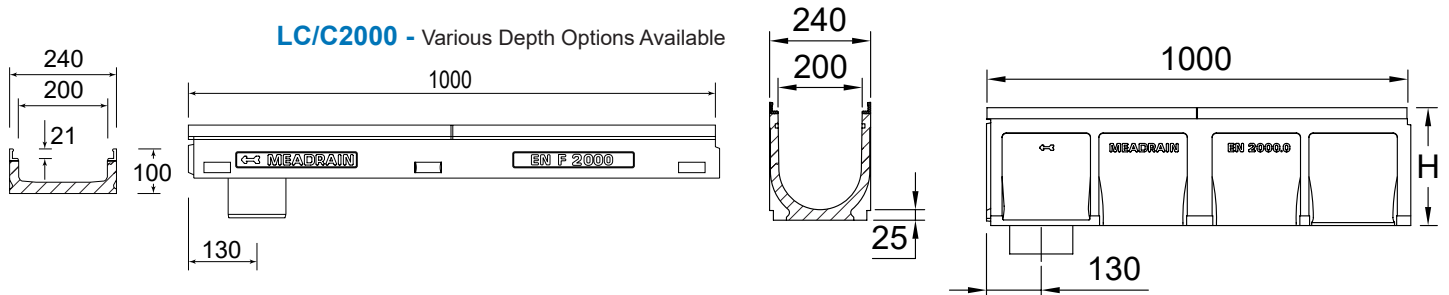
TECHNICAL DATA SHEET - 200mm Clear Opening Polymer Concrete Channel With Cast Iron Edge Rail



PRODUCT DETAILS

- Drainage channel made of polymer concrete Includes integrated cast iron edge protection.
- 200mm clear opening width.
- Available in 1 metre lengths.
- Includes connecting facility for vertical discharge outlet connector to channel or inline sump.
- Ductile Iron grates available in heelguard or slotted designs.
- Standard & Profix locking system available.
- Channel accessories available including Inline Sumps & baskets.
- Interlocking joint system for an exact fitting of the channels.
- Designed for heavy duty applications up to AS3996 Class Load G900 when installed according to the MEA installation instructions.

CHANNEL DETAIL



CHANNEL UNIT PROPERTIES

Polymer Concrete:	Based on polyester resin	Material Structure:	Capillary Free
Compression Resistance:	>90N/mm ²	Fall Type:	Constant, Stepped
Flexural Strength:	>22N/mm ²	Load Classes:	A10-G900 (AS3996)
Water Absorption:	Less than 0.05%	Total Height:	100-380mm (see next table for details)
Density:	2.1-2.3kg/dm ³	Total Width:	240mm
Modulus of Elasticity:	25-35kN/mm ²	Length:	1,000mm
Water Penetration Level:	0mm	Edge Protection:	KTL Coated (cataphoric painting)

SUPREME CHANNEL LIST

Product Name	Part No.	Depth	Weight (kgs.)
LC2000/100 Shallow Depth Channel	154611	100	19.6
LC2000/220 Shallow Depth Channel	157285	220	27
C2000.0 Constant Depth Channel	157531	280mm	35.5
C2010.0 Constant Depth Channel	157535	330mm	41.2
C2020.0 Constant Depth Channel	157539	380mm	47.5
C2000-2010 Step Connector 1,000mm Length	157545	280-330mm	39
C2010-2020 Step Connector 1,000mm Length	157547	330-380mm	43.5

All 200mm depth channels come with one 160mm outlet

TOLL FREE: 1300 GO HYDRO | hydrocp.com.au

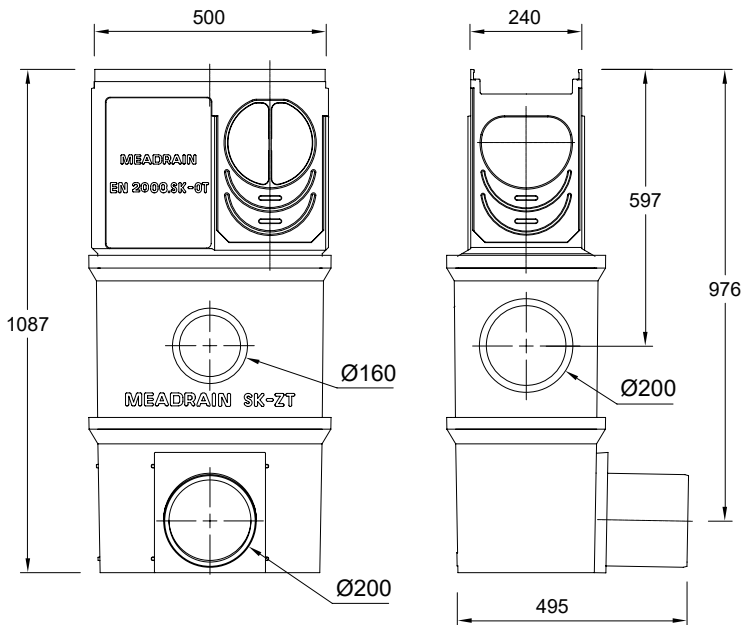
[DRAIN](#) • [STAINLESS](#) • [DIAMOND TOOLS](#) • [GRATES & FRAMES](#) • [CABLEPIT](#) • [COVERS](#)

TECHNICAL DATA SHEET - 200mm Clear Opening Polymer Concrete Channel With Cast Iron Edge Rail

SUPREME ACCESSORIES LIST

Product Name	Part No.	Depth	Weight (kgs.)
Galvanised Steel End Cap	153551	N/A	0.4
C2000 Inline Sump Top Section 0.5m (Requires bottom section)	157549	430mm	25
Gully Bottom/Lower Short (Requires a top section) 0.5m	154711	335mm	24
Gully Bottom/Lower Long (Requires a top section) 0.5m	154719	485mm	33.6
Gully Middle Section (Requires a top sections) 0.5m	154709	375mm	22

C2000 INLINE SUMP



C2000 END CAP

